

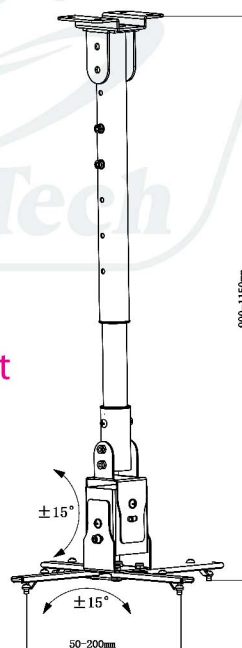
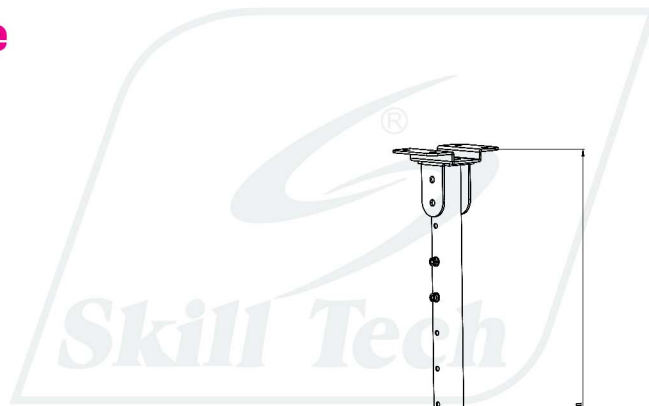
# SH 02P Projector Wall Mount



New Design,  
New Experience

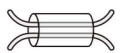


Height adjustable  
Projector wall mount

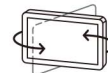


Weight Capacity

**25 Kgs**



Cable  
Management



Swivel Range

**+8°-(-8°)**



Tilt Range

**+15°-(-15°)**



Profile to Wall

**650-1000mm**